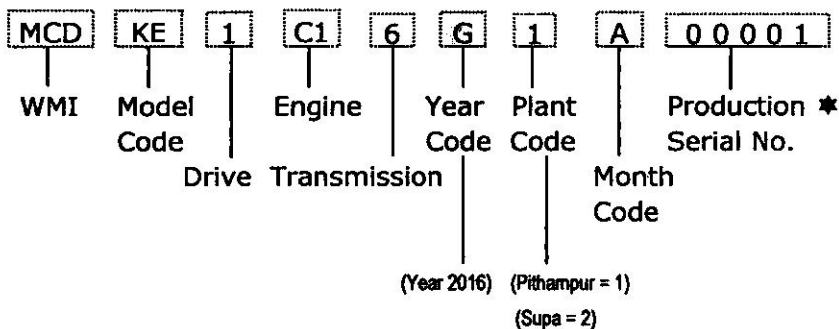


M = Month Code	
Month	Code
JANUARY	A
FEBRUARY	B
MARCH	C
APRIL	D
MAY	E
JUNE	F
JULY	G
AUGUST	H
SEPTEMBER	J
OCTOBER	K
NOVEMBER	L
DECEMBER	M

Y = Year Code	
Year	Code
2010	A
2011	B
2012	C
2013	D
2014	E
2015	F
2016	G
2017	H
2018	J
2019	K
2020	L

Example :- (MOJO model manufactured in year January 2016 at Pithampur Plant)



* (Numerical number shown is not the actual Serial Number, but just taken as an example for explanation)

II] ENGINE DETAILS (11 digit) :-

Engine Number - (11 digit)										
1	2	3	4	5	6	7	8	9	10	11
X	X	X	X	X	X	X	X	X	X	X
M	C	E	Y	M	N	N	N	N	N	N
Model Code (Engine)		Engine	Year Code	Month Code	Serial Number					

Code for Engine		
Sr. No.	Model	MC = Model Code
1	FLYTE	PF
2	DURO DZ	MD
3	RODEO RZ	MD
4	RODEO RZ (BASE)	MD
5	PANTERO	VN
6	CENTURO	UP
7	GUSTO	UK
8	MOJO	UF

Enat no: C3/1271/7C/16 Dtd 25.01.2016

Copy furnished to all DTS, RTOS & RTOS for information & necessary action. Please note that the 10th digit from the left is '1' stands for the manufacturing year 2016.

Transport Commissioner
25/1/16
25/1/16